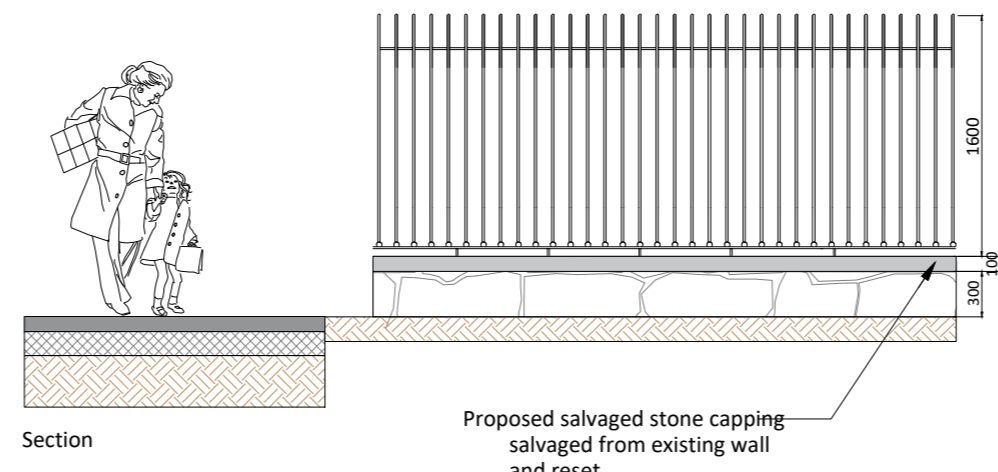
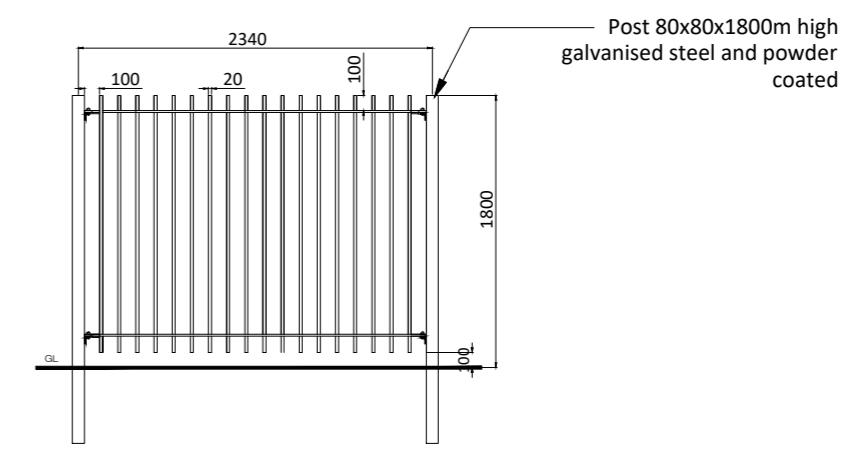


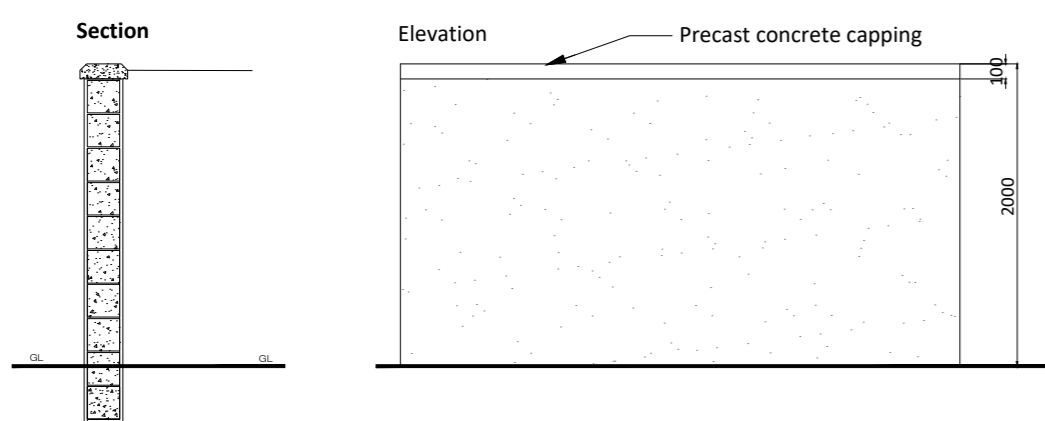
D-01 2.5 high Existing Stone Wall (height varies) with Limestone capping  
Scale 1:50



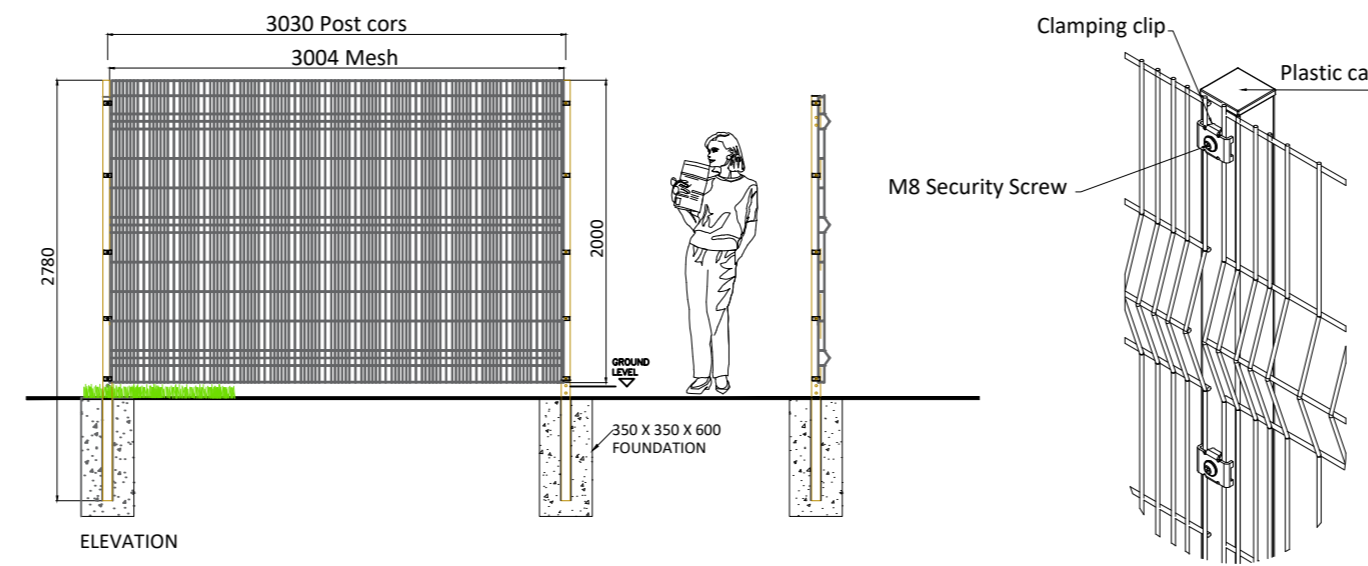
D-02 Proposed 1.6m high metal railing on lowered section of existing stone wall  
Scale 1:50



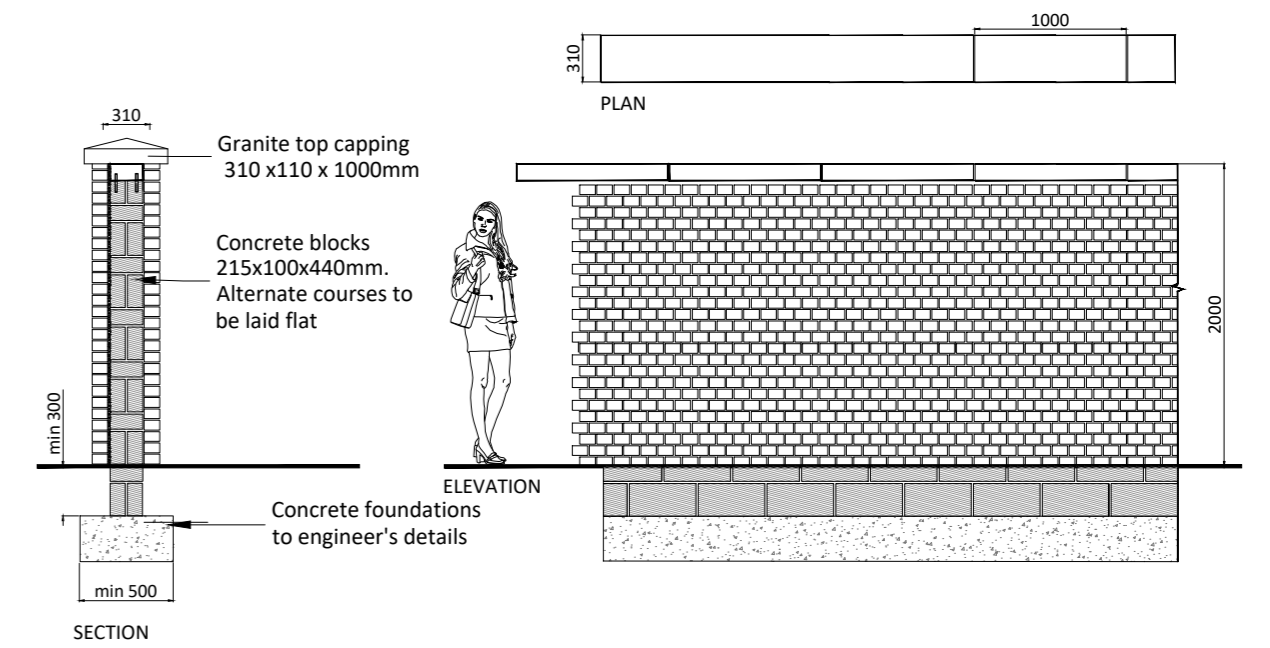
D-03 Proposed 1.8m high railing  
Scale 1:50



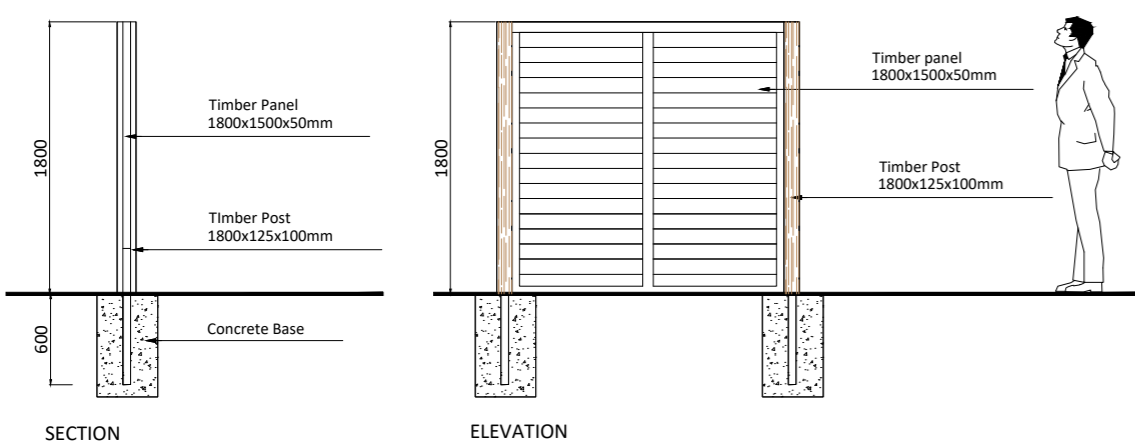
D-04 2m high Rendered wall  
Scale 1:50



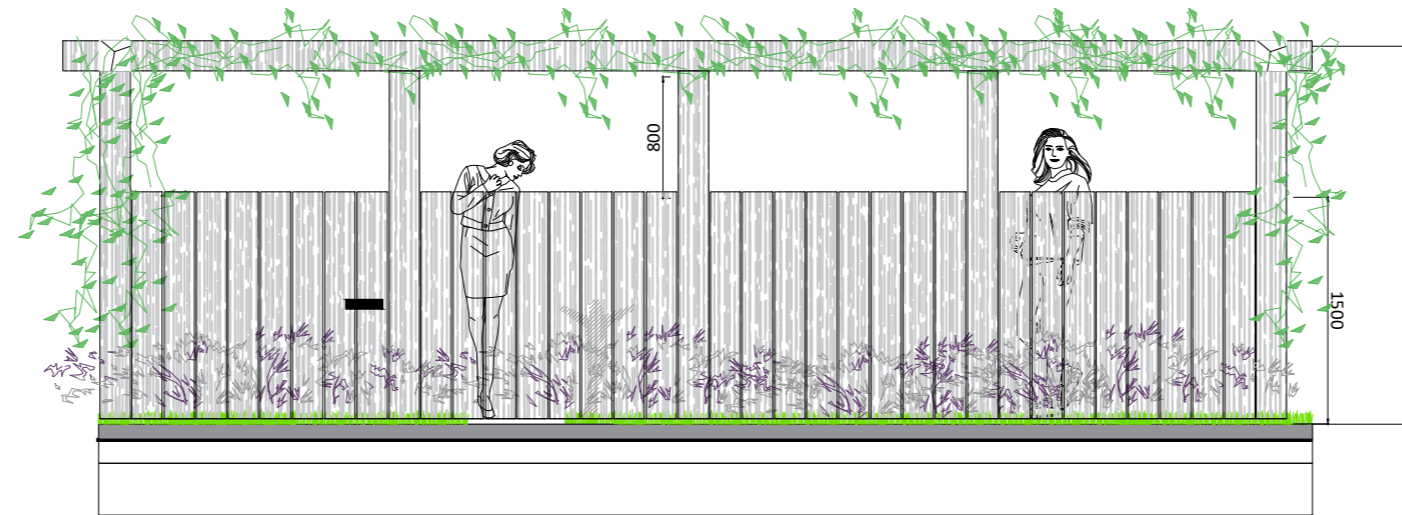
D-05 Proposed 2m high paladin fence railing  
Scale 1:50



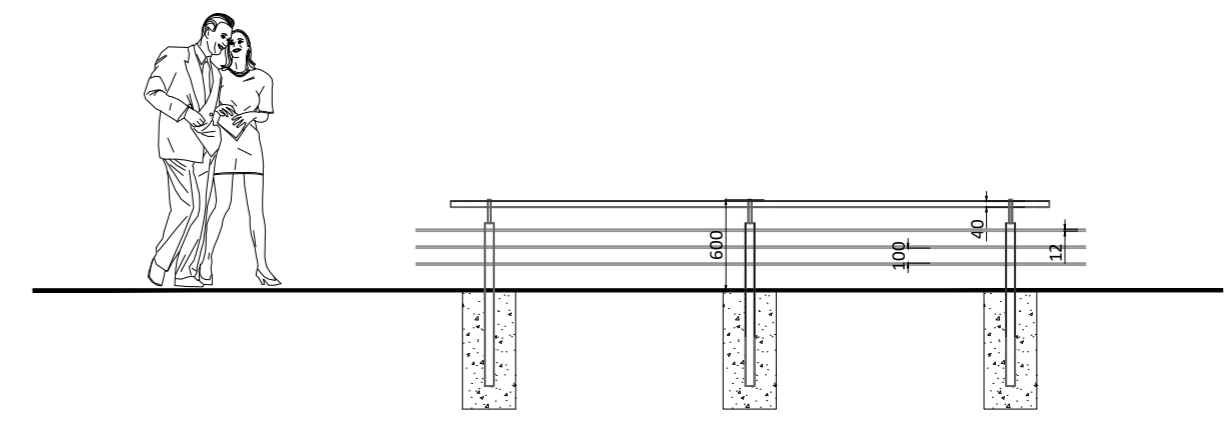
D-06 Proposed 2m high brick wall  
Scale 1:50



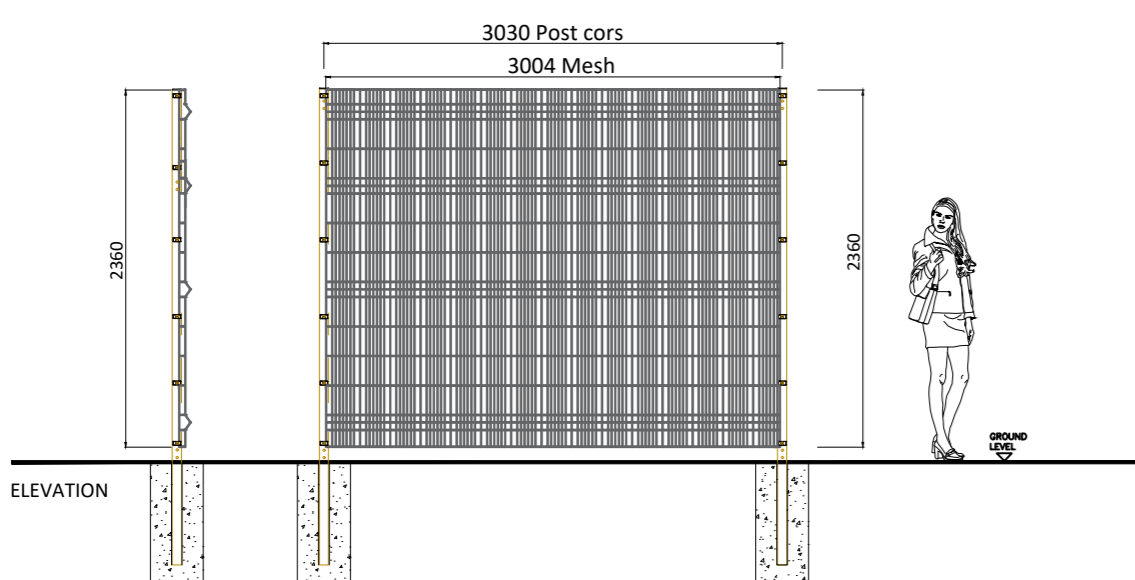
D-07 Proposed 1.8 m high timber panel fence  
Scale 1:50



D-08 Proposed 2.5m high Timber Pergola and Panel Fence  
Scale 1:50



D-09 Proposed 600mm high railing  
Scale 1:50



D-10 Proposed 2.4m high paladin fence railing  
Scale 1:50

Notes:

COPYRIGHT © ALL RIGHTS RESERVED.  
THIS WORK IS COPYRIGHT AND CANNOT BE REPRODUCED OR COPIED IN ANY FORM WITHOUT THE WRITTEN PERMISSION OF THE PROPRIETOR. WORK ONLY FOR THE PROJECT AND SITE ONLY. THIS DRAWING IS TO BE READ IN CONJUNCTION WITH RELEVANT CONSULTANT'S DRAWINGS.

Ordnance Survey Ireland Licence No AR 0001319  
© Ordnance Survey Ireland/Government of Ireland

Project: WOODBROOK - PHASE 1, Old Dublin Road, Co.Dublin  
Aeval Unlimited Company  
D/B: Boundary Treatment Details  
Scales: 1:50  
Status: SHD PLANNING APPLICATION  
Date: October 2019  
Dm: CS  
Ctd: AP  
Passed

Project No. 6384  
Drawing No. 310  
Rev. 00  
Date: October 2019

**BSM**  
Est. 1968

Rev	Date	Drawn	Checked	Description